

# OMEGA CONNECTOR

- » Increases medial surface contact of a total prosthesis and thus provides additional stability
- » Designed to compensate for tympanic membrane movements
- » Accommodates membrane to head plate angles without prosthesis manipulations



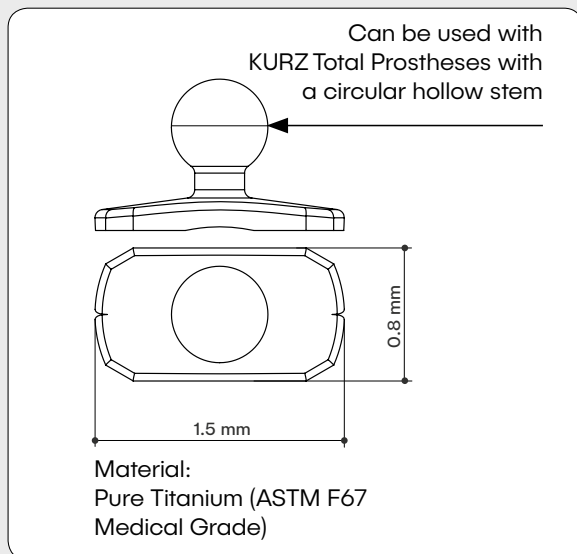
MIDDLE EAR INTELLIGENCE



Micro ball joint connects with the hollow stem of KURZ total prostheses

Undersurface of the shoe has a longitudinally milled recess to compensate for footplate irregularity





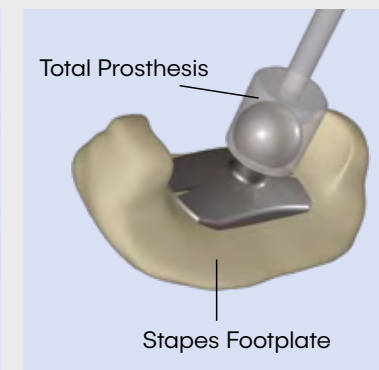
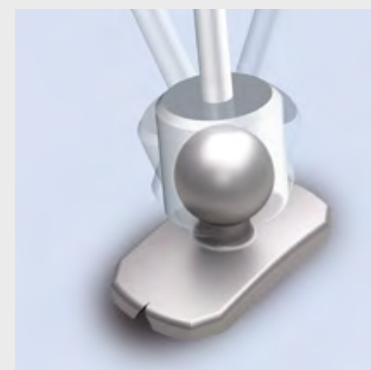
MRI information: [www.kurzmed.com](http://www.kurzmed.com)

ITEM	FL (mm)	REF
OMEGA CONNECTOR	0.5 mm	1004 930

FL: Functional Length

The OMEGA CONNECTOR is compatible with all KURZ total prostheses that have a hollow stem with a diameter of 0.8 mm at the end of the shaft:

- TTP-VARIAC® System Total
- TTP®-VARIO AERIAL Total
- TTP®-Tuebingen Type AERIAL Total
- Duesseldorf Type AERIAL Total
- MNP Malleus Notch Total Prosthesis
- Munich<sup>LMU</sup> Type Total Prosthesis



Developed in close collaboration with  
Dr. med. G. Schmid, Reutlingen, Germany.

Heinz Kurz GmbH | Tuebinger Strasse 3  
72144 Dusslingen | Germany | Phone: +49 (0)7072/9179-0  
E-Mail: [info@kurzmed.de](mailto:info@kurzmed.de) | [www.kurzmed.com](http://www.kurzmed.com)

KURZ Medical, Inc. | 5126 South Royal Atlanta Drive | Tucker,  
GA 30084 | USA Toll Free Order #: 866.449.8020 | Phone:  
770.349.6330 | E-Mail: [info@kurzmed.com](mailto:info@kurzmed.com) | [www.kurzmed.com](http://www.kurzmed.com)

CE 0124

03/2018 M9600401

Prescription Devices

Caution: United States Federal Law restricts devices identified herein to sale by or on the order of a physician. This brochure does not replace nor does it set forth the complete contents of the "Instructions for Use" for the products in this brochure, and is not a substitute for reviewing and understanding that important information. Therefore, before using any products included in this brochure, please review the entire contents of the respective "Instructions for Use" information.

Because of registration the products are currently not available in all countries.



MIDDLE EAR INTELLIGENCE